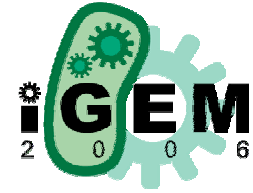


ETH

Eidgenössische Technische Hochschule Zürich
Swiss Federal Institute of Technology Zurich

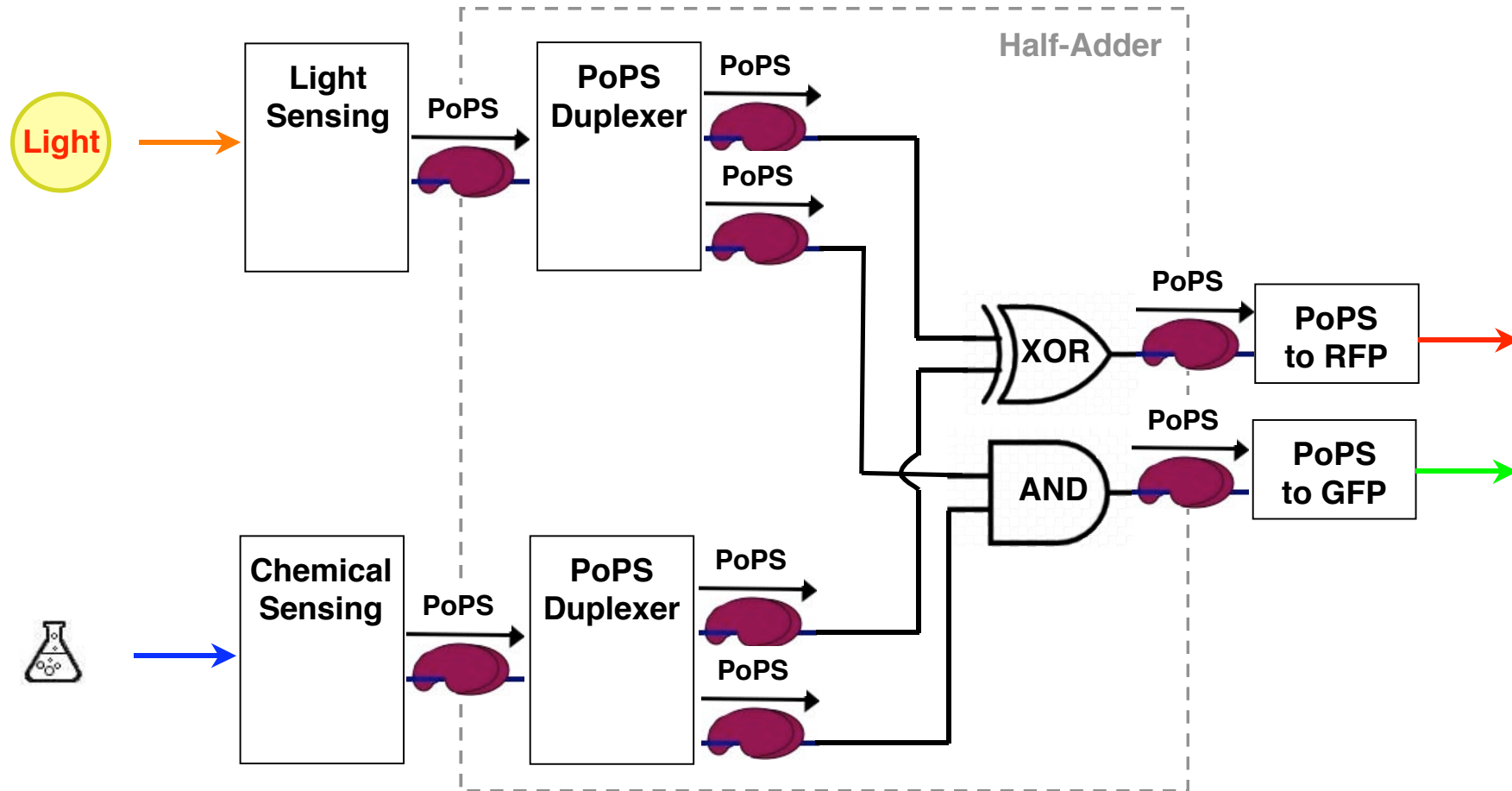


Half Adder - Modeling Overview

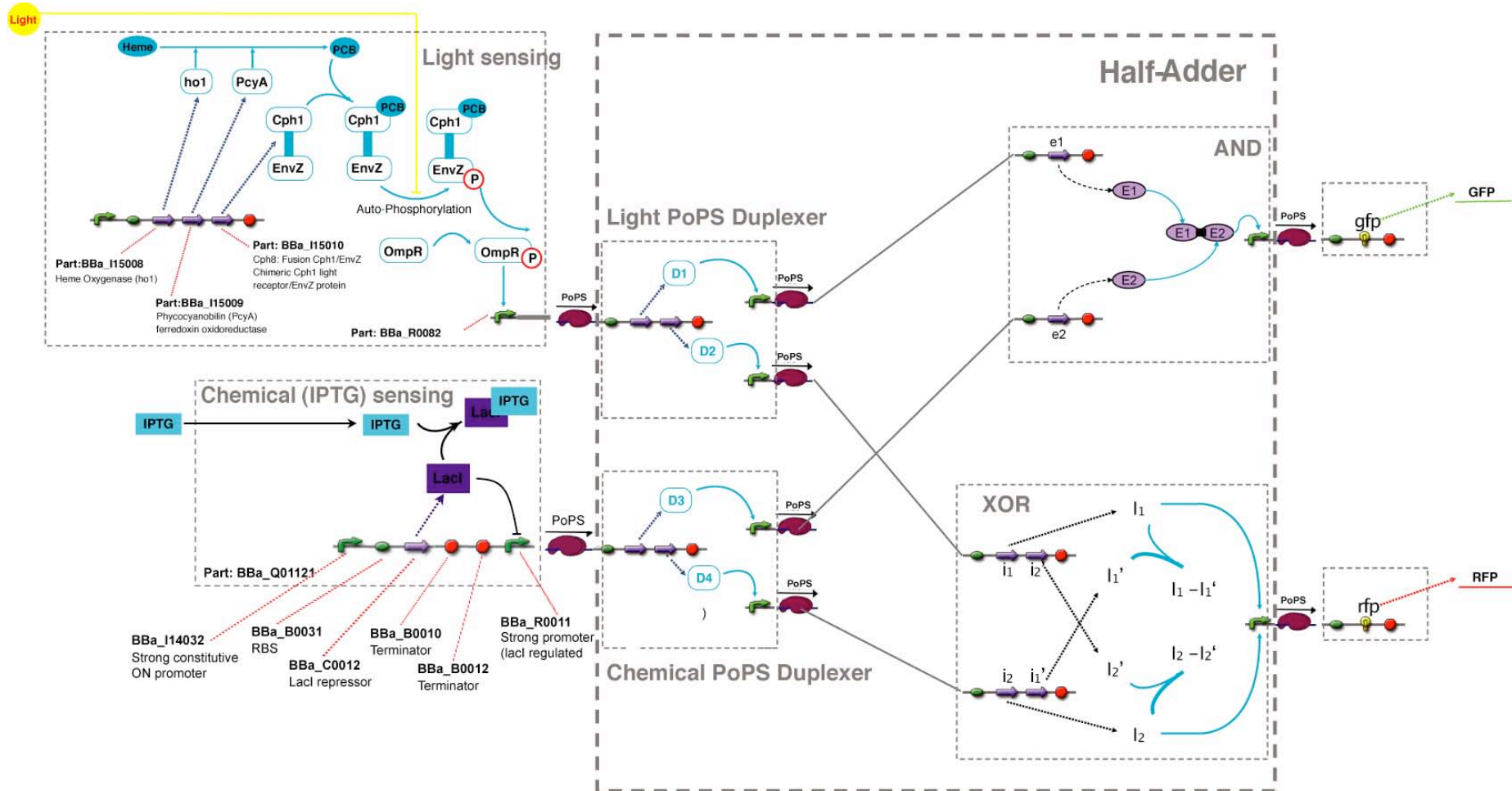
September 4th, 2006



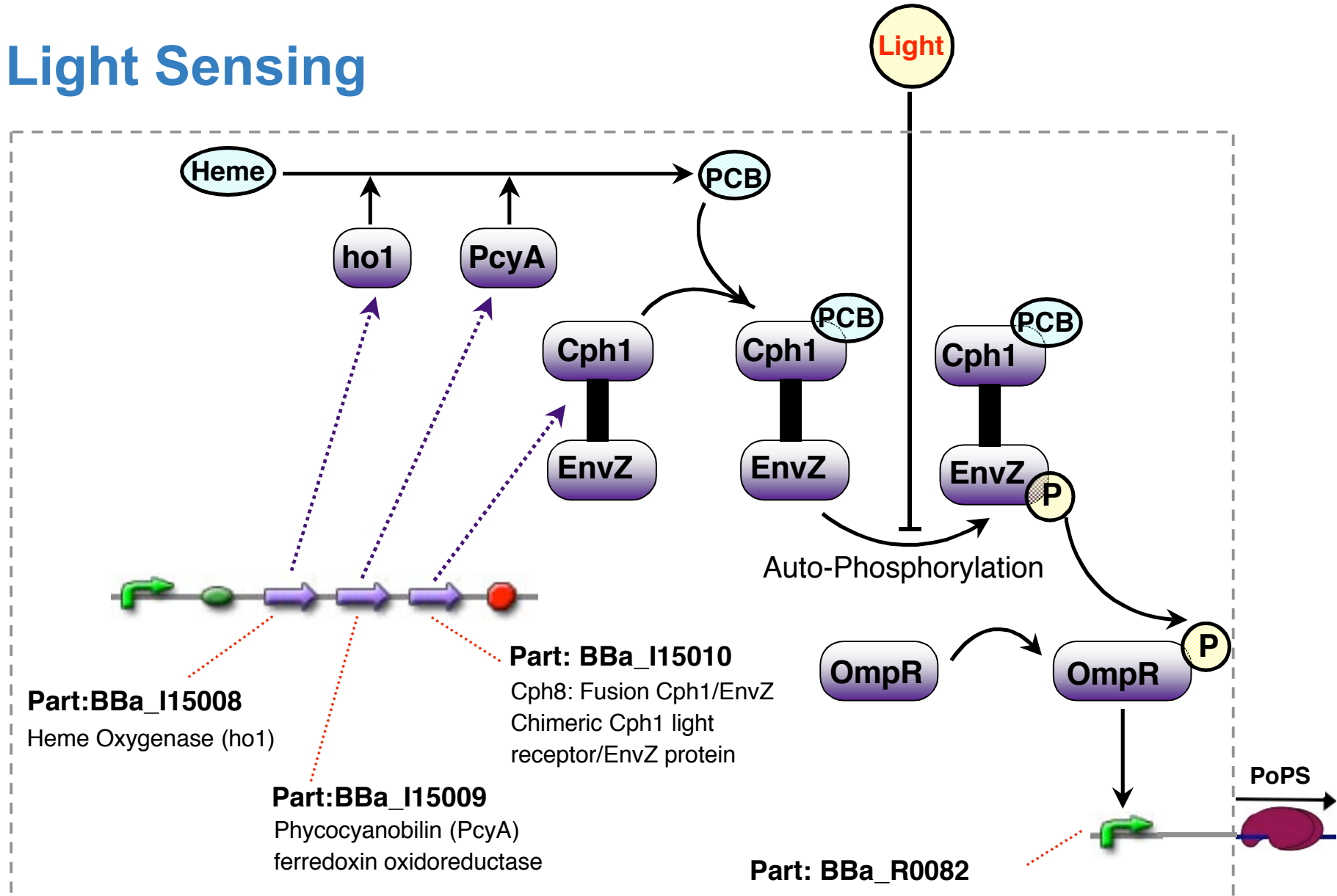
System Architecture



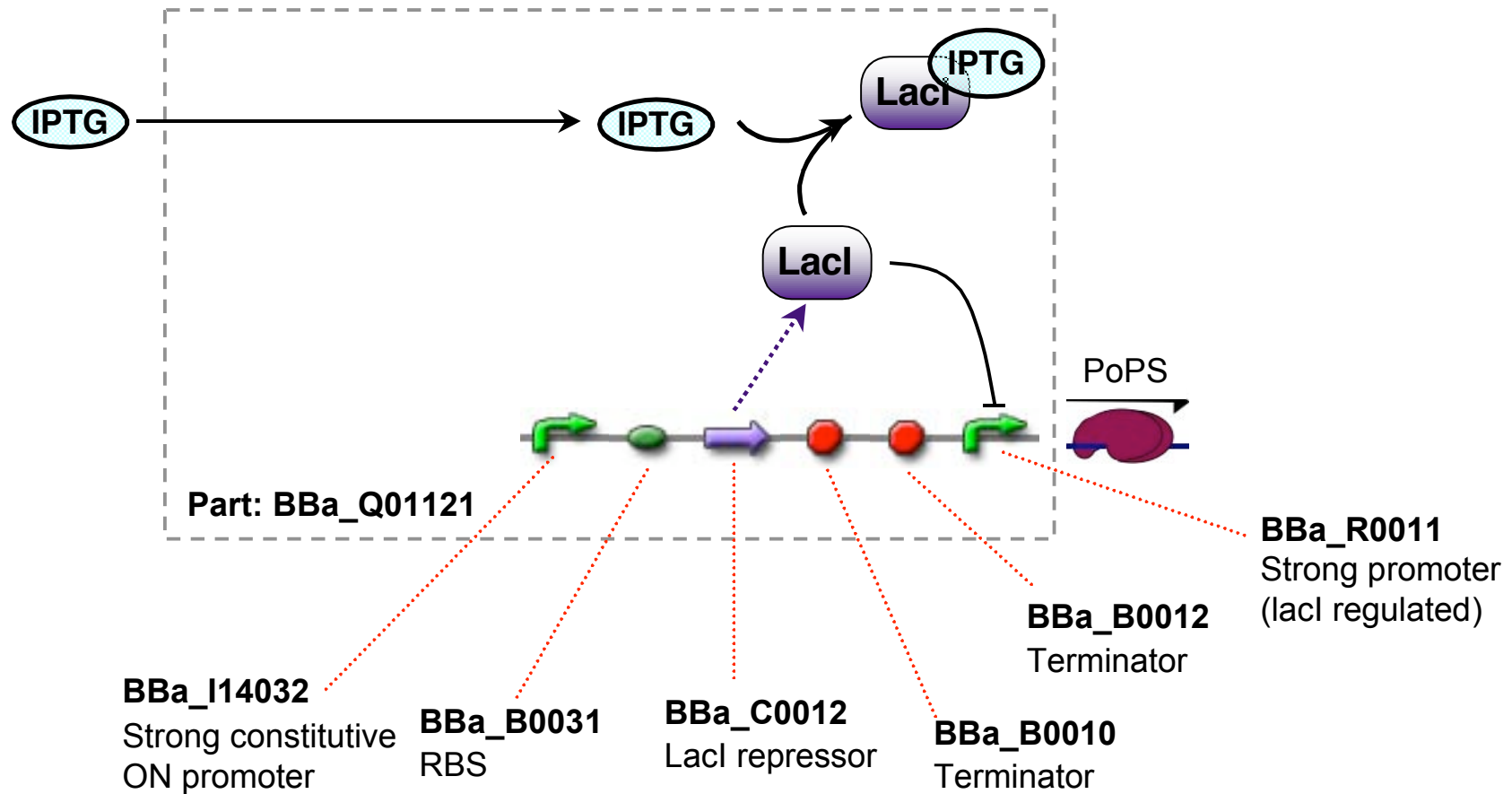
Insights Overview



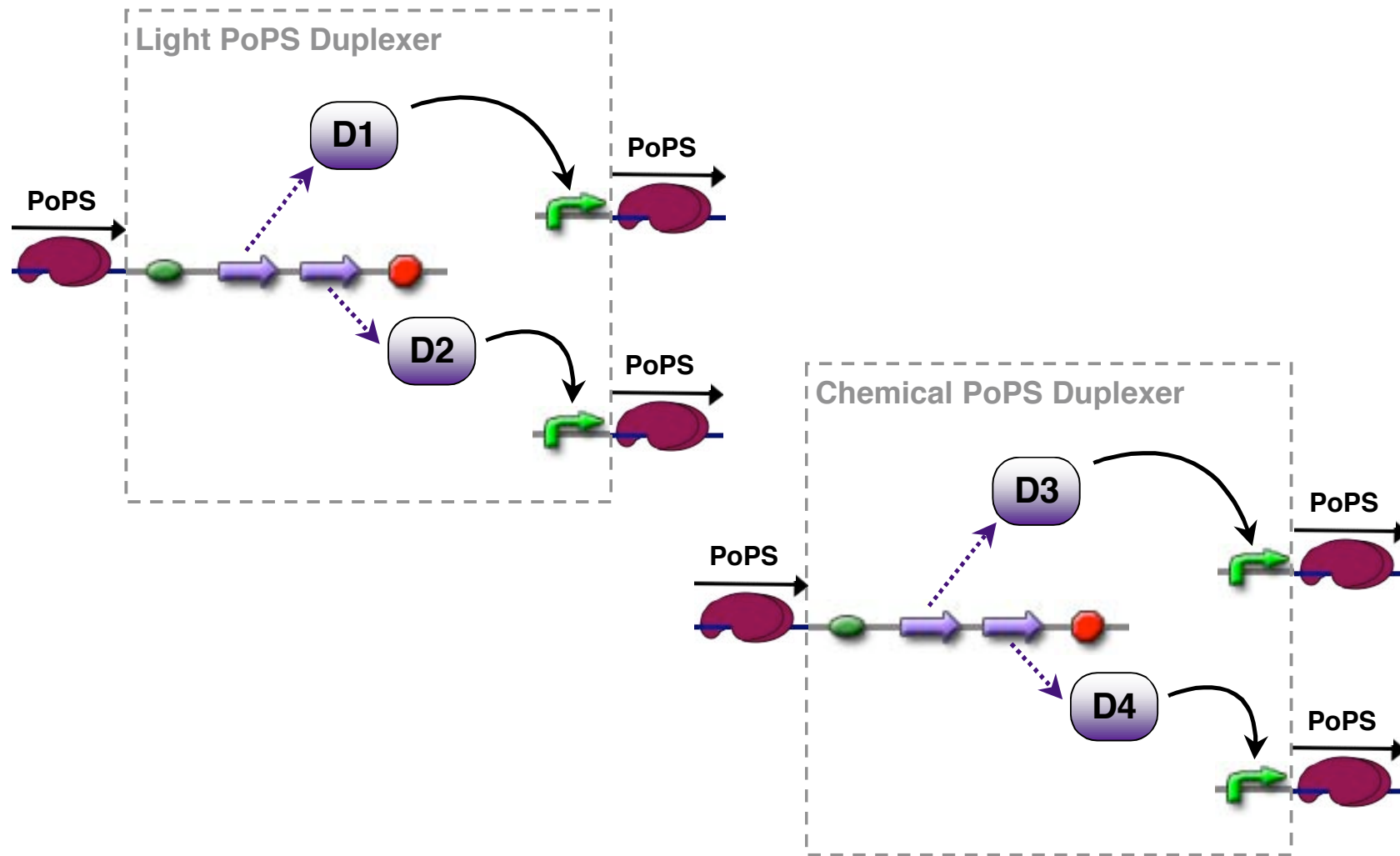
Light Sensing



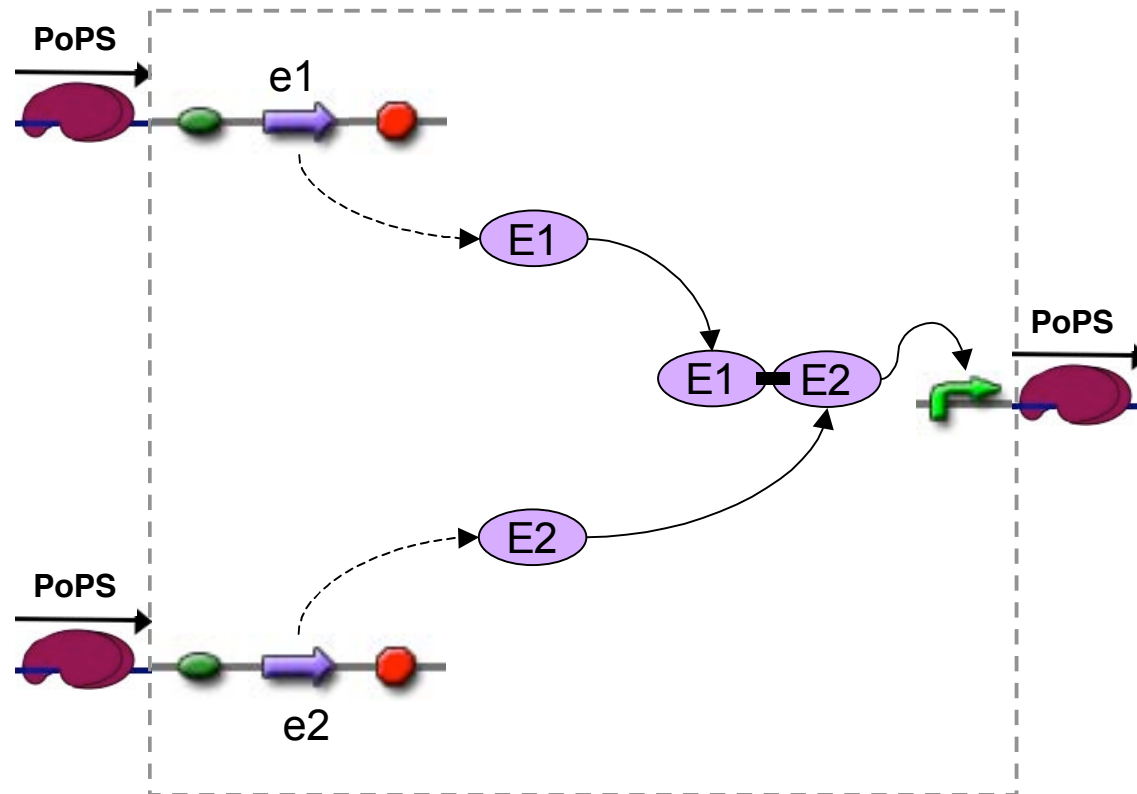
Chemical Sensing



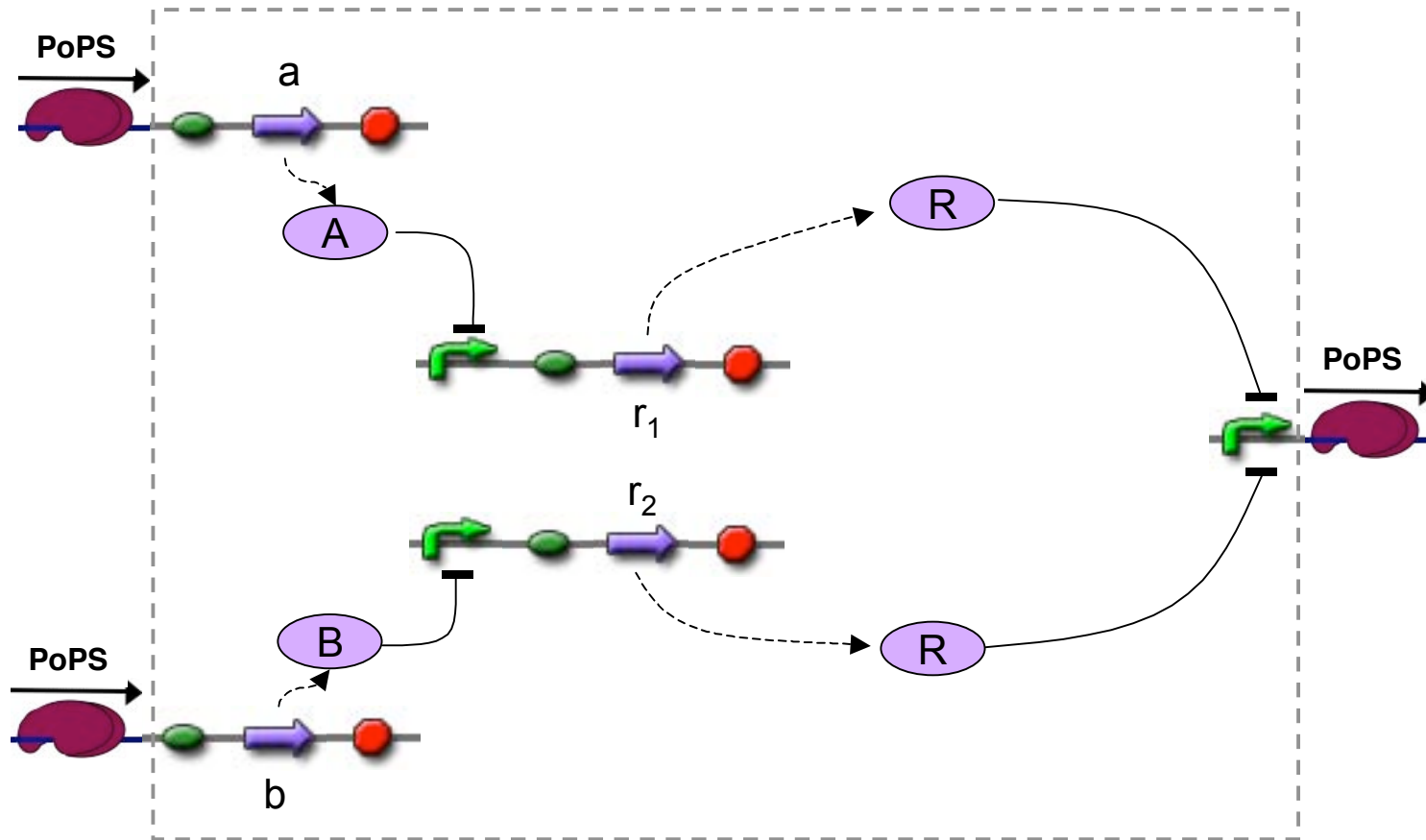
PoPS Duplexer



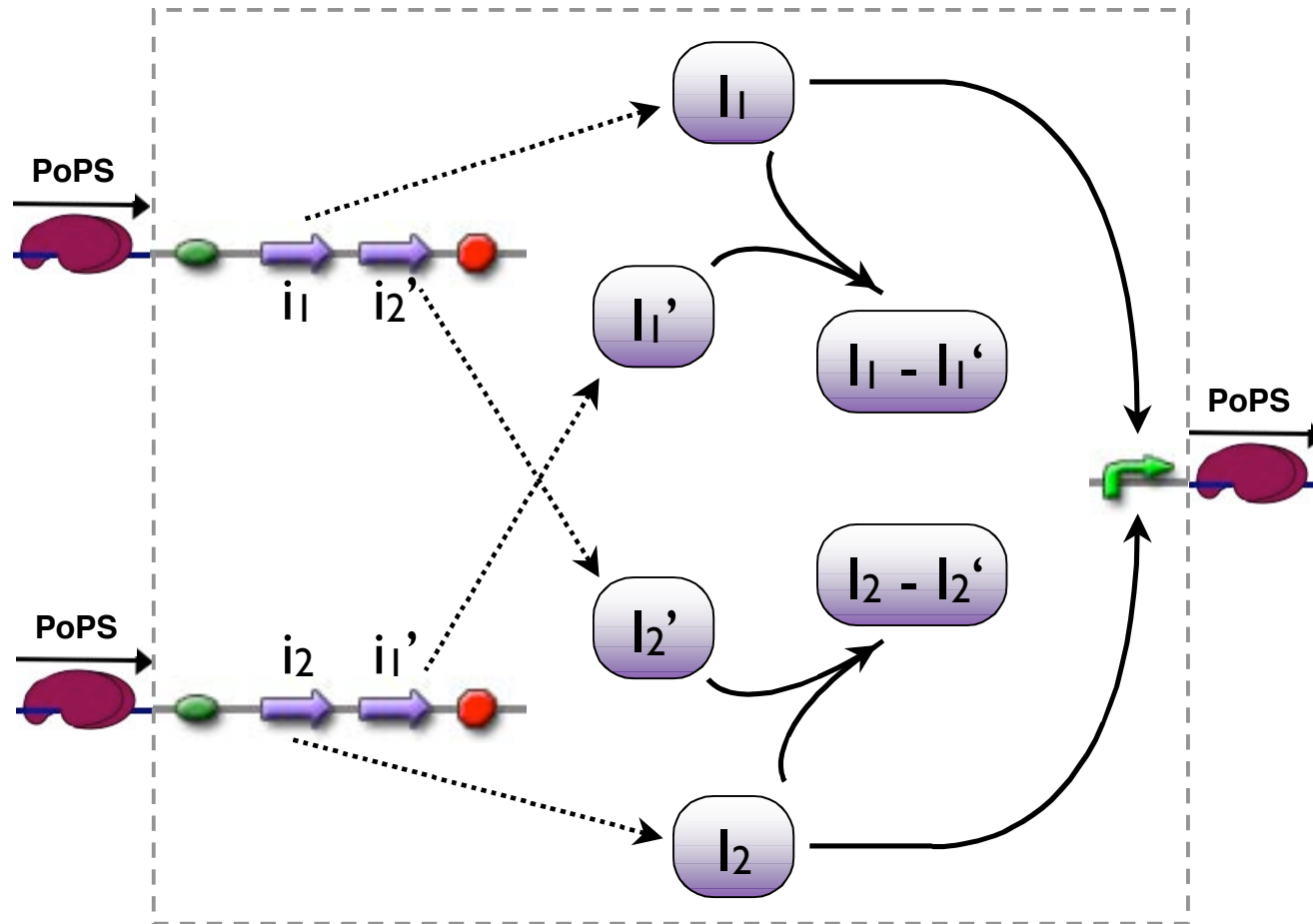
AND (Version A)



AND (Version B)



XOR



PoPS to Reporter

